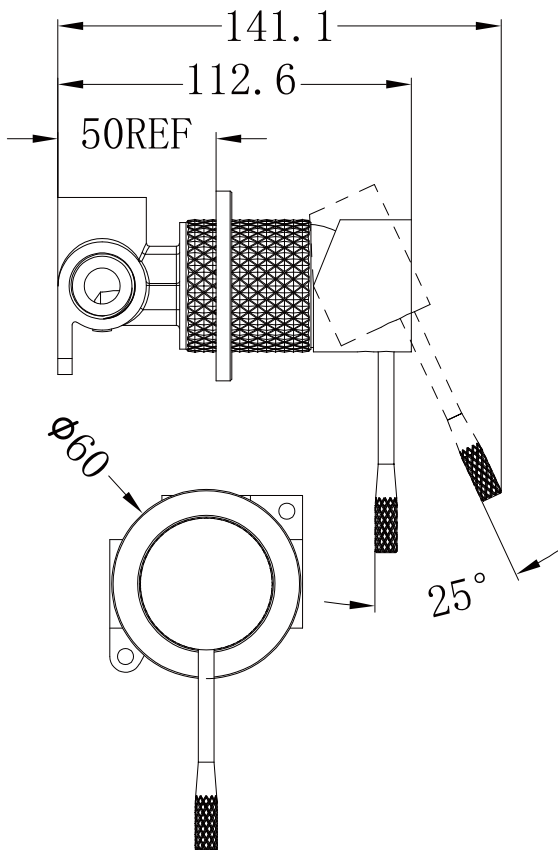




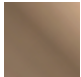

Opal Shower Mixer With 60mm Plate



SPECIFICATION

| | |
|--------------------|-----------------------|
| PRODUCT CODE | YSW2519-09H |
| WELS RATING | N/A |
| WATERMARK LICENSE | WM-060073 |
| TEMPERATURE RATING | MIN 1°C-MAX 75°C |
| PRESSURE RATING | MIN 150KPa-MAX 500KPa |

AVAILABLE FINISH

| | | | |
|---|-------------------------------|---|-------------------------------|
|  | GRAPHITE NR251909hGR |  | BRUSHED NICKEL NR251909hBN |
|  | BRUSHED BRONZE NR251909hBZ |  | BRUSHED GOLD NR251909hBG |

MAINTENANCE AND CARE

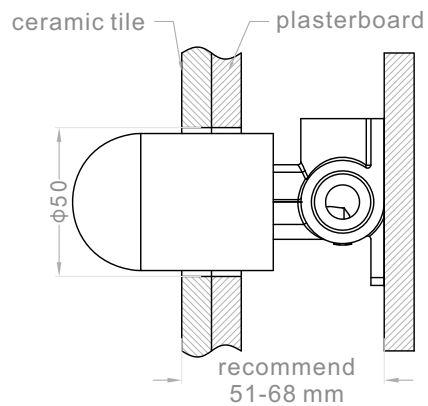
All surfaces should be cleaned with mild liquid detergent or soap and water. Do not use cream cleaners or citrus based cleaning products, as they are abrasive. Use of unsuitable cleaning agents may damage the surface. Any damage caused in this way will not be covered by warranty.

PACKING INCLUDES

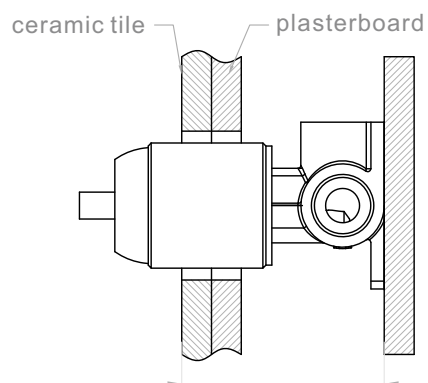
- 1x mixer body
- 1x handle
- 1x plate
- 1x accessories pouch



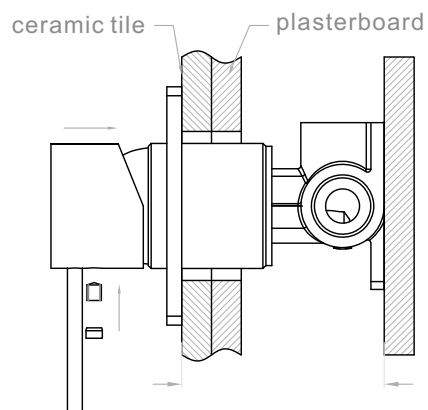
Installation Instruction



1. Fix body on noggin and ensure installation depth is 51-68mm from noggin to ceramic tile.
2. Connect cold water hose and hot water hose and test for leakage.
3. Install plasterboard and ceramic tile after drilling a $\phi 50$ hole according to above picture.



4. Remove the plastic sleeve of body.



5. Install plate and handle.