





## Bianca Wall Basin Mixer

### SPECIFICATION



WELS RATING	6 STAR 4.5L/MIN
WATERMARK LICENSE	WM-060073
TEMPERATURE RATING	MIN 1°C-MAX 75°C
PRESSURE RATING	MIN 150KPa-MAX 500KPa

### FINISH AND SKU

	CHROME NR321507aCH		MATTE BLACK NR321507aMB
	BRUSHED NICKEL NR321507aBN		GUN METAL NR321507aGM
	BRUSHED GOLD NR321507aBG		

### MAINTENANCE AND CARE

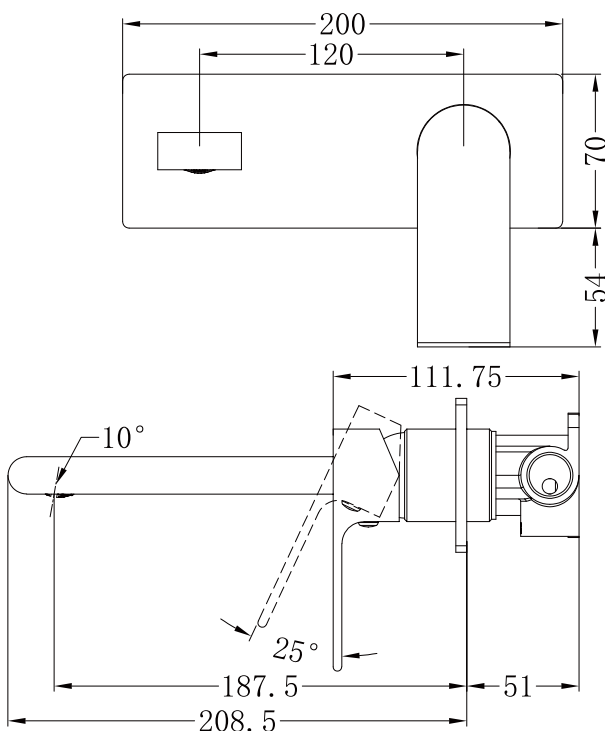
All surfaces should be cleaned with mild liquid detergent or soap and water.

Do not use cream cleaners or citrus based cleaning products, as they are abrasive.

Use of unsuitable cleaning agents may damage the surface. Any damage caused in this way will not be covered by warranty.

### PACKING INCLUDES

- 1x mixer body
- 1x plate
- 1x handle
- 1x spout

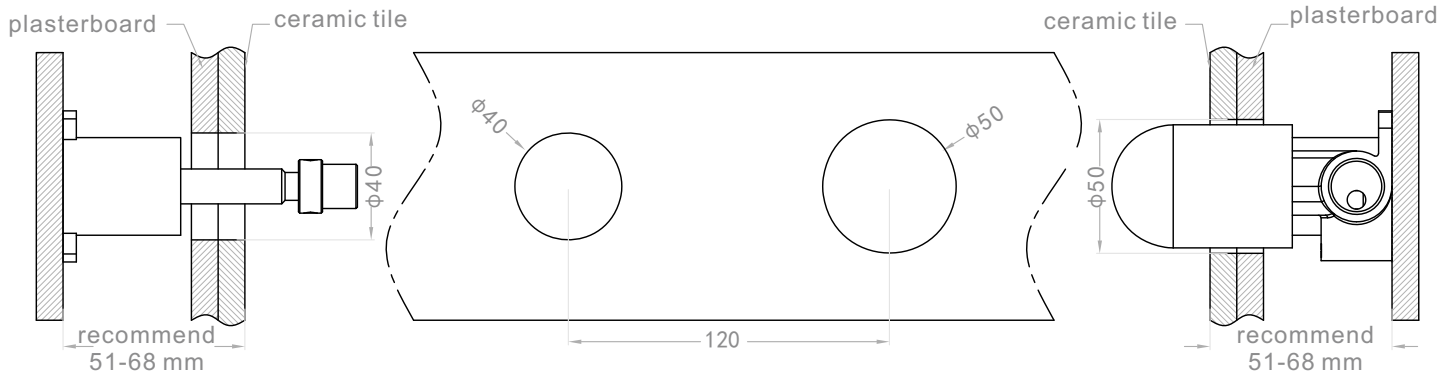


Dimensions are nominal measurements only.

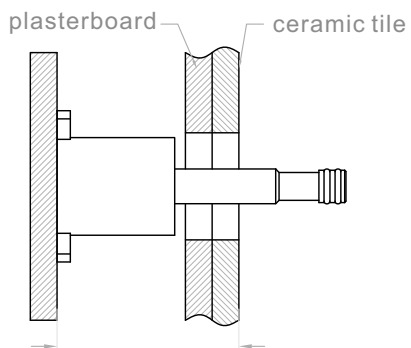


Versions: V1

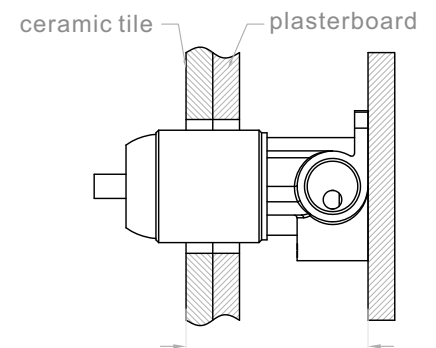
## Installation Instruction



1. Fix body on noggin and ensure installation depth is 51-68mm from noggin to ceramic tile.
2. Connect cold water hose and hot water hose and conduct water pressure test for leakage.
3. Install plasterboard and ceramic tile after drilling a  $\phi 50$  and a  $\phi 40$  hole according to above picture.



4. Remove the plastic sleeve, grub screw and water testing plug.



5. Install washer, plate, spout and handle.

