

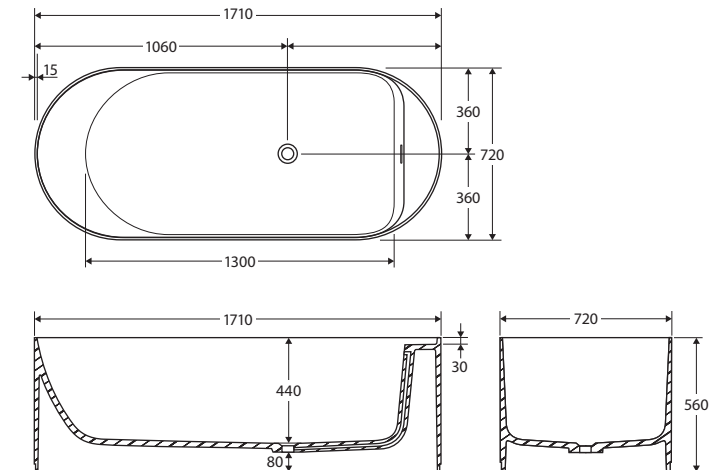
# Minka

## SOLID SURFACE BATH, 1700MM

### Features

- Vertical fluting around perimeter
- Freestanding style with integrated shelf
- Smooth, non-fluted perimeter at base for easy cleaning
- Solid surface
- Built-in overflow
- Matching solid surface pull-out/pop-up waste included (WAS78W / WAS78B / WAS78D / WAS78F)
- Capacity: 300L
- Net weight: 126 kg
- Gross Weight: 156 kg

**Installation Warning:** Floor preparation may be required for off-centre waste positions. Please discuss with your builder/plumber before tiling and waterproofing your bathroom.



### Available in



Matte White  
ST20-1700



Matte Black  
ST20-1700B



Dusk  
ST20-1700D



Forest  
ST20-1700F

### Cleaning & Care

- Wipe with a clean, soft cloth and mild soapy water or non-abrasive bathroom cleaner. Test in an inconspicuous area before cleaning the whole bath.
- Avoid placing hot objects, such as hair straighteners, on any surface as these will cause discolouration and marking.
- Spills of hair dye, after-shave lotion, nail polish and remover, aerosol spray and other harsh chemicals should be removed immediately to prevent damage and discolouration. Clean immediately with mild soapy water using a clean, soft cloth.
- Please find more information in the Care Guide for this product online at [fienza.com.au](https://www.fienza.com.au)

While we aim to ensure specifications are correct at the time of publication, Fienza reserves the right to make modifications without prior notice. Physical colour may vary from image shown. All measurements are shown in millimetres. Always use physical product measurements for mark-ups and roughing-in as the technical drawing may differ from actual product received.