

SPECIFICATIONS – MED6080-6BM



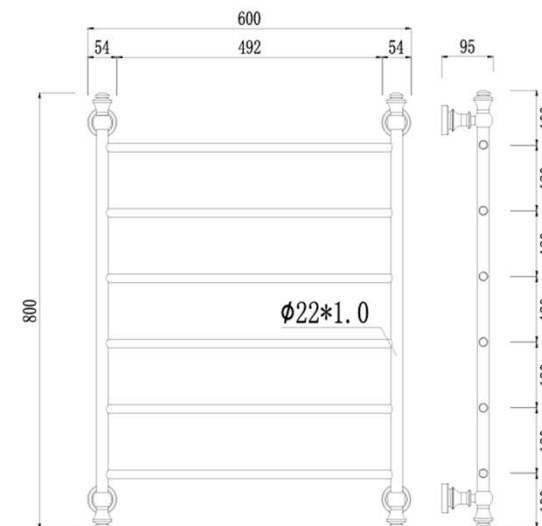
Medoc 6 Bar Heated Towel Rail – Brushed Bronze

Features

- 600W x 800H
- Designed for bathroom use
- Concealed (hard-wired) installation – top or bottom options
- Surface temperature 45-50°C
- Made from 304 Stainless steel
- IP55 rated
- 220-240V/68W
- 1.0m Power cord included
- SAA Approved
- 15 years replacement warranty including finish

Cleaning & Care

- Regularly clean with mild soapy water
- Do not use harsh detergents, bleach or abrasive cleaners
- The use of any unsuitable cleaning products may damage the surface
- Refer to installation guide for correct installation
- Check for any product defects prior to installation



Available in



Chrome



Matt Black



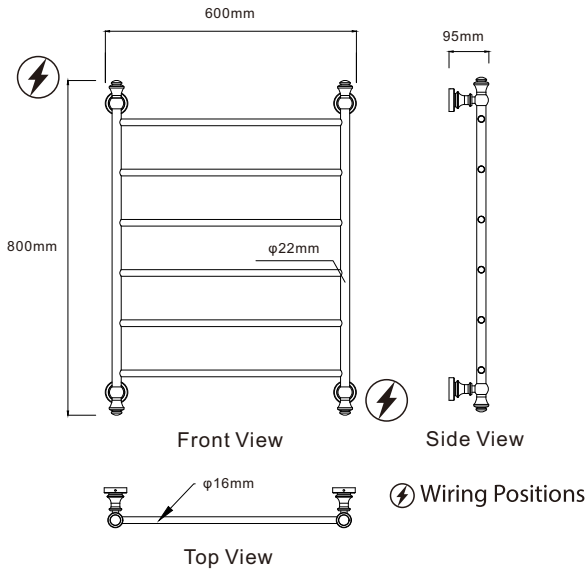
Brushed Nickel



Brushed Bronze

HEATED TOWEL RAIL

Installation Guide



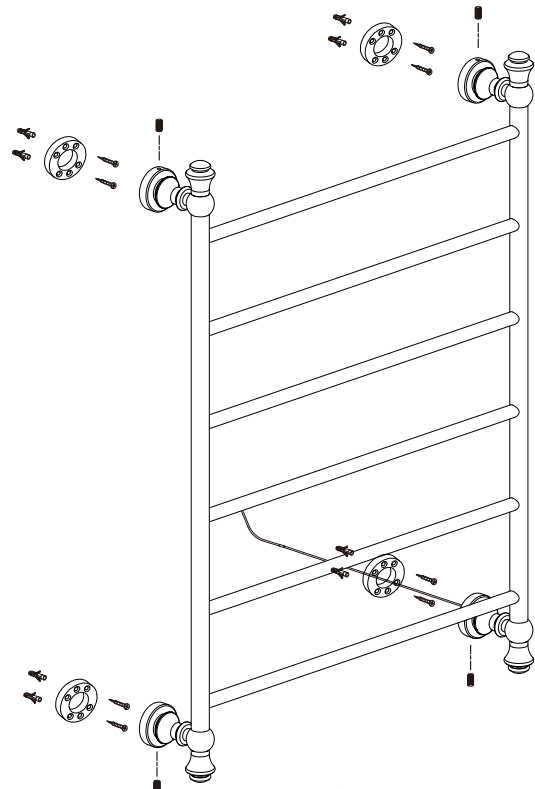
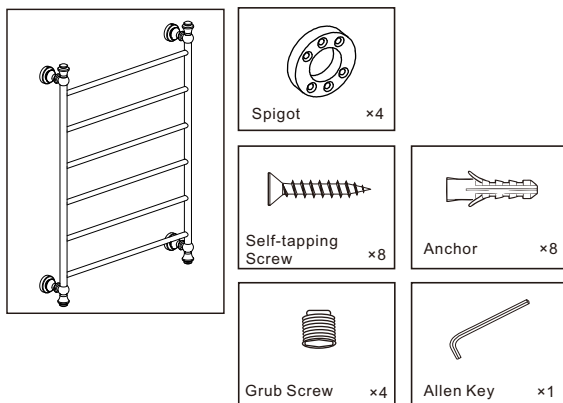
ITEM NO.:	MED6080-6
WIDTH:	600 MM
HEIGHT:	800 MM
DEPTH:	95 MM
POWER:	68 W
VOLTAGE:	220-240 V/50Hz
WIRING METHOD:	Hard wired
WIRING POSITION:	Top left or bottom right
IP GRADE:	IP 55

- Please note that this appliance **MUST** be installed as prescribed by the relevant wiring rules and regulations, including the regulations covering installation of appliances and accessories in 'wet areas' such as bathrooms, showers and laundries.

WARNING:

1. The appliance is not to be used by persons (including children) with reduced physical, sensory or mental capabilities, or lack of experience and knowledge, unless they have been given supervision or instruction.
2. Children being supervised not to play with the appliance.
3. **WARNING:** In order to avoid a hazard for very young children, this appliance should be installed so that the lowest heated rail is at least 600 mm above the floor.
4. Means for disconnection must be incorporated in the fixed wiring in accordance with the wiring rules.

PRODUCT ACCESSORIES LIST



INSTALLATION

Concealed Wiring Installation (Hard-Wired)

This appliance MUST be installed by a licensed electrician.

1. Remove the towel rail from the box. Check all parts are supplied against the Product Components List.
2. Pull the electrical cord out from the bracket that contains the electrical cord - top left or bottom right installation.
3. Hold the towel rail up against the wall in the desired position. Using a pencil draw a circle around each bracket to mark the leg bracket fixing positions on the wall. Remove the towel rail from the wall.
4. Remove each of the 4 spigots from the brackets and hold them up against the wall inside the drawn circles. Mark the screw hole positions for each bracket fixing point.
5. Using a suitable drill bit, drill the holes to the required screw depth into the screw hole positions drawn on the wall at each fixing point.
6. Place the plastic anchors into the drilled holes.
7. Using the 4 self-tapping screws, screw the 4 spigots onto the wall. The electrical wiring cord must be inserted through the spigot hole at the desired electrical outlet position.
8. Put the towel rail up on the wall, once the 4 brackets are in place covering the 4 spigots, use the 4 grub screws by placing them in the small holes on each bracket and fasten them to the spigots by using the Allen Key provided.

WARNING

- A. To reduce the risk of injury, do not drape cord over the counter top or table top where it can be pulled down by children or tripped over unintentionally.
- B. A short power-supply cord (or detachable power-supply cord) is provided to reduce risks resulting from becoming entangled in or tripping over a longer cord.
- C. Longer detachable power-supply cords or extension cords are available and may be used if care is exercised in their using.
- D. If a long detachable power-supply cord or extension cord is used.
- E. The marked electrical rating of the detachable power-supply cord or extension cord should be at least as great as the electrical rating of the appliance;
- F. If the appliance is of the grounded type, the extension cord should be a grounding type 3-wire cord;
- G. The longer cord should be arranged so that it will not drape over the counter top or table top where it can be pulled on by children or tripped over.

A licensed electrician is required to carry out the installation of heated towel rail using the concealed wiring system.