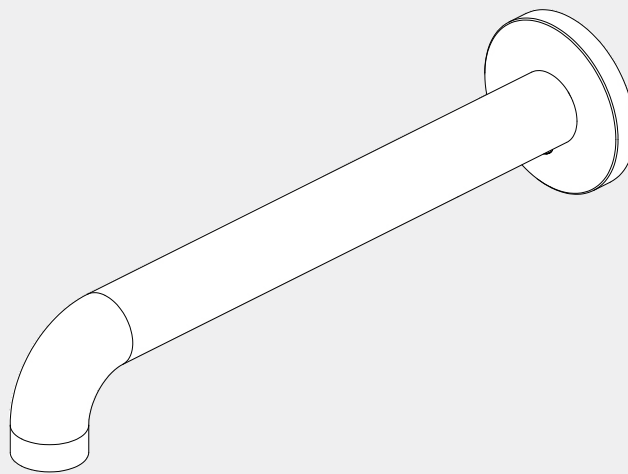


# Zen SS316L Round Basin/Bath Spout Only

# Nero

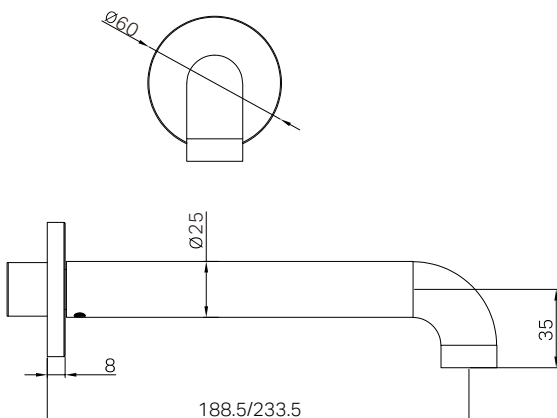
185/230mm



Versions:202405



## Drawing



## Specifications

### Watermark License

WM-060073


### Temperature Rating

Min 1°C-Max 75°C

### Pressure Rating

Min 150kpa - Max 500kpa

## Finish & SKU

- |   |  |
|---|--|
|  <b>Brushed Bronze</b><br>NR162203b(185/230)BZ |  <b>Graphite</b><br>NR162203b(185/230)GR       |
|  <b>Brushed Gold</b><br>NR162203b(185/230)BG   |  <b>Brushed Nickel</b><br>NR162203b(185/230)BN |

## Packaging Includes

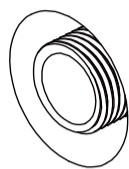
- 1x Spout
- 1x Plate
- 1x Aerator Spanner
- 1x Unrestrictive Aerator

\*Dimensions are nominal measurements only.

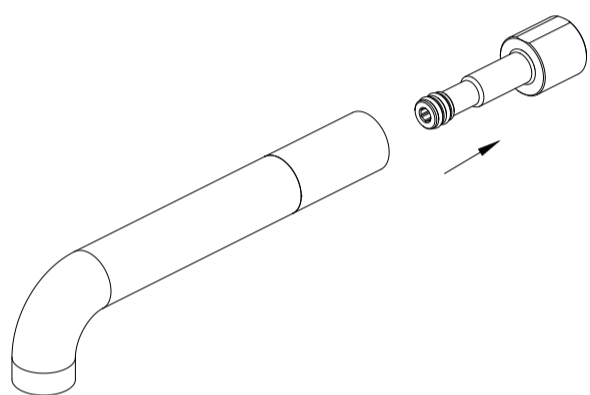
# Installation Instruction

## GENERAL INSTRUCTIONS:

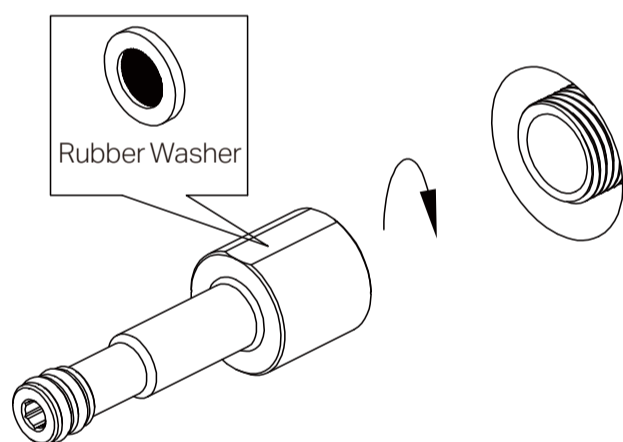
- This product must be installed by a licensed plumber. Ensure that your plumbing installation conforms to the Australian/New Zealand Standard AS/NZS 3500.
- All pipework must be thoroughly flushed prior to the installation of the mixer. In-line filters must be fitted on both hot and cold supplies to prevent foreign particles from damaging the ceramic cartridge.
- All outlets used primarily for personal hygiene must deliver water at a safe temperature in accordance with regional regulations.



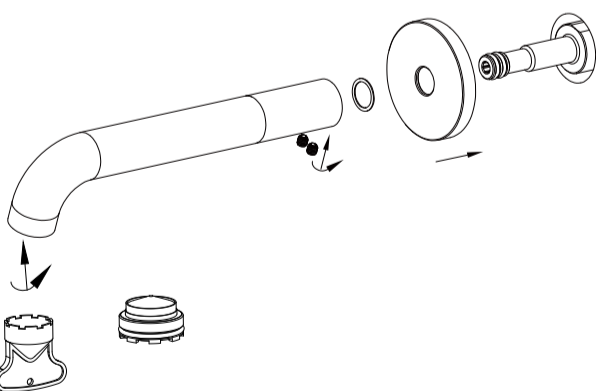
1. Cut off the G1/2 outlet thread to flush with the finished wall surface.



2. Remove the G1/2 spout adapter from the spout.



3. Turn the G1/2 spout adapter onto the outlet thread, and ensure to place the rubber washer inside, as shown in the figure.



4. Fit the back plate onto the spout adapter.

5. Place the ABS washer against the backplate.

6. Push in the spout onto spout adapter, tighten two grub screws firmly on the underside of the spout with the Allen key. (Don't over tighten)

### Note:

The accessory bag includes an unrestricted aerator and an aerator spanner. If you prefer to use the unrestricted aerator, you can utilize the aerator spanner for replacing the aerator.

## MAINTENANCE AND CARE:

- Regularly check the mixer and connections for signs of wear or leaks.
- Clean the tap with mild soapy water to maintain its appearance, avoiding harsh chemicals and abrasive materials that may damage the finish.

## FINAL INSPECTION:

- Ensure the tap operates smoothly and that there are no leaks at the connections.
- Clean the area and the newly installed tap with a soft cloth to remove any installation residues.

# Nero

