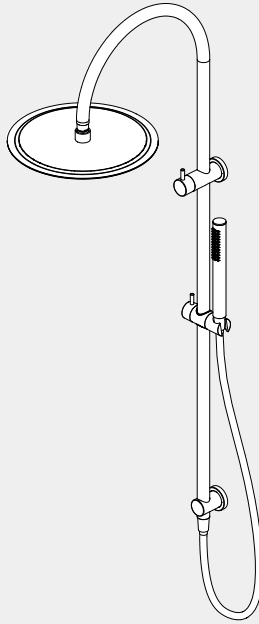


Zen SS316L Twin Shower

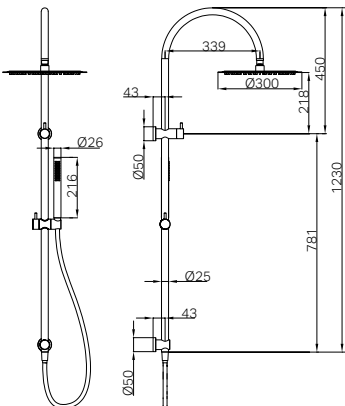
Nero



Versions:202405



Drawing



Specifications

Watermark License

WM-060093

Temperature Rating

Min 1°C - Max 75°C

Pressure Rating

Min 150kpa - Max 500kpa

Finish & SKU

With Outdoor Shower Hose

- Brushed Bronze
NR162205c01BZ
- Brushed Gold
NR162205c01BG

- Graphite
NR162205c01GR
- Brushed Nickel
NR162205c01BN

With PVC Shower Hose

- Brushed Bronze
NR162205c02BZ
- Brushed Gold
NR162205c02BG

- Graphite
NR162205c02GR
- Brushed Nickel
NR162205c02BN

*Dimensions are nominal measurements only.
**Top or bottom diverter compatible.

Packaging Includes

- 1x Hand Shower (Built - In Check Valve)
- 1x Shower Head
- 1x Shower Arm
- 1x Shower Rail
- 1x 1.5m Hose

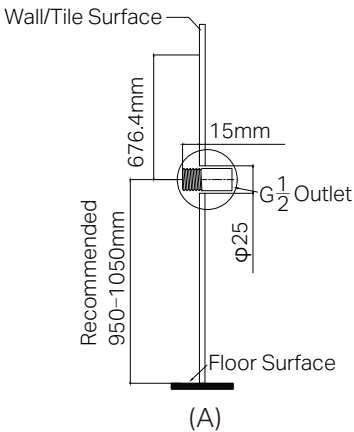
Installation Instruction

GENERAL INSTRUCTIONS:

- This product must be installed by a licensed plumber. Ensure that your plumbing installation conforms to the Australian/New Zealand Standard AS/NZS 3500.
- All pipework must be thoroughly flushed prior to the installation of the shower. In-line filters must be fitted on both hot and cold supplies to prevent foreign particles from damaging the shower components.
- Ensure that all outlets used for personal hygiene deliver water at a safe temperature in accordance with regional regulations.
- Verify that the water pressure is within the recommended range for the shower to function properly.

Bottom Divertor Installation

①



②



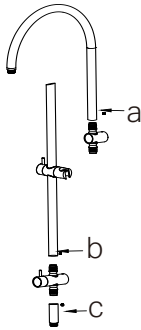
Check that G1/2 outlet thread is the correct length as shown.
Cut to length if required ensuring end face is square.
The recommended height for the water inlet is 950-1050mm from the floor surface, as shown in the image.

Drill a 6mm hole in the wall 676.4mm above the center point of the inlet point, as shown in Figure A.

Wrap the G1/2 water outlet connection with Teflon tape to ensure a watertight seal.

Insert expansion screws into the 6mm hole, and secure the mounting bracket to the wall with self-tapping screws.

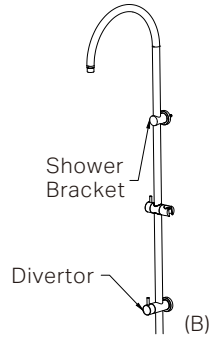
③



Undo the three grub screws as indicated in the figure above, then disassemble the shower rails a, b, and c.

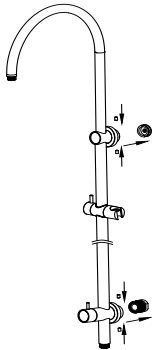
Swap the positions of the mounting bracket and diverter. Then, reassemble the shower rails a, b, and c, and secure them with grub screws.

④



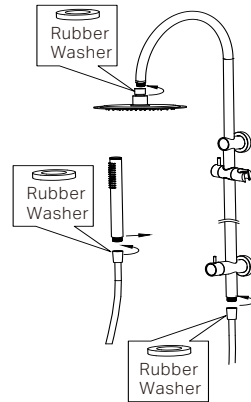
Positioning the diverter and shower bracket as in Figure B.

⑤



Insert the diverter and shower bracket into the water inlet and mounting bracket. Secure firmly with grub screws. Slide the backplates onto shower bracket and diverter.

⑥



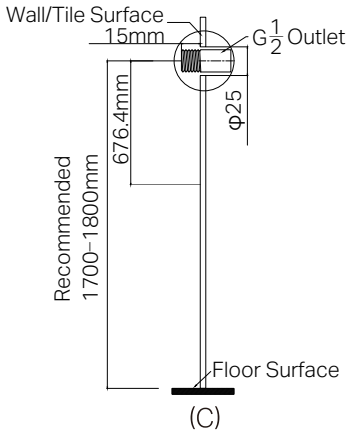
Screw the overhead shower into the shower arm, ensuring a rubber washer is in place for watertight seal.

Connect hand shower with the hose and shower rail, ensuring rubber washers are present at both connections for leak prevention.

Make sure each screw connection is strong. Open the drainage system and water supply, check if there's any leakage in the connections.

Top Divertor Installation

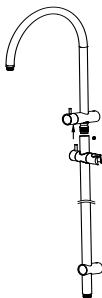
①



Check that G $\frac{1}{2}$ outlet thread is the correct length as shown.
Cut to length if required ensuring end face is square.
The recommended height for the water inlet is 1700-1800mm from the floor surface, as shown in the image.

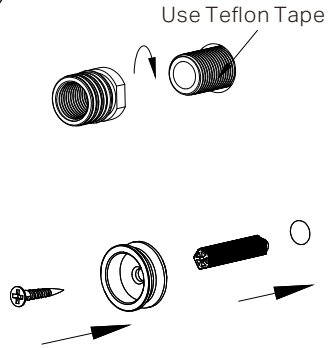
Drill a 6mm hole in the wall, 676.4mm above the center point of the inlet point, as shown in Figure C.

③



Insert shower arm into shower rail, and secure by grub screw.

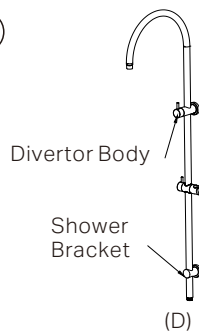
②



Wrap the G $\frac{1}{2}$ water outlet connection with Teflon tape to ensure a watertight seal.

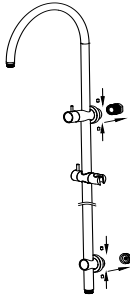
Insert expansion screws into the 6mm hole, and secure the mounting bracket to the wall with self-tapping screws.

④



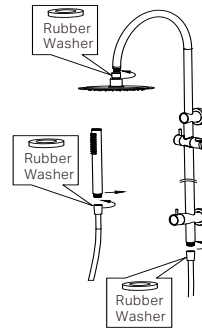
Positioning the divertor and shower bracket as in Figure D.

5



Insert the diverter and shower bracket into the water inlet and mounting bracket. Secure firmly with grub screws. Slide the backplates onto shower bracket and diverter.

6



Screw the overhead shower into the shower arm, ensuring a rubber washer is in place for watertight seal.

Connect the hand shower with the hose and shower rail, ensuring rubber washers are present at both connections for leak prevention.

Make sure each screw connection is strong. Open the drainage system and water supply, check if there's any leakage in the connections.

MAINTENANCE AND CARE:

- Regularly check the shower system and all connections for signs of wear or leaks.
- Clean all shower components with mild soapy water to maintain their appearance, avoiding harsh chemicals and abrasive materials that may damage the finish.
- Descale the showerhead, hand shower, and other components periodically to prevent mineral buildup, which can affect water flow and performance.
- Inspect and replace any worn-out parts, such as seals or washers, to ensure the longevity and efficiency of the shower system.
- Ensure all moving parts, such as adjustable brackets or sliding rails, are functioning smoothly and are properly lubricated if necessary.

FINAL INSPECTION:

- Ensure the shower operates smoothly and that there are no leaks at the connections.
- Verify that the water temperature and flow are consistent and as desired.
- Clean the area and the newly installed shower with a soft cloth to remove any installation residues.

Nero

