

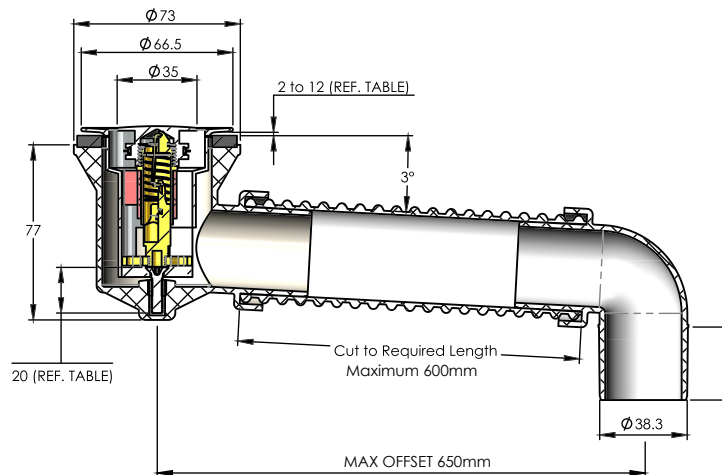
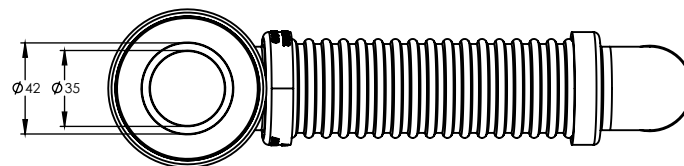


# BATH BEND POP DOWN WITH CONNECTOR

PLUG & WASTES

- ✓ Flexible connector 600mm in length
- ✓ Removable cartridge for drain access and cleaning
- ✓ Easy installation due to top fix design
- ✓ Adjustable depth for bath thickness up to 12mm
- ✓ Premium solution for free standing baths
- ✓ Ideal for limited space (77mm height)
- ✓ World Wide Patents Granted or Pending

CODE	OUTLET SIZE	FINISH	CTN QTY
21831.01	40mm	Chrome	10



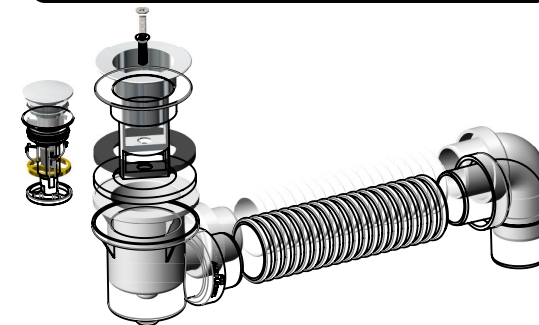
**NOTES:**

Also suitable for baths with an integrated overflow. Simply purchase the 21831 Screw Pack (product code 29391) and select the correct length screw for the perfect installation (see table below).

Fixing screw must be stainless steel, M5 countersunk head. Replace with different length of screw for different bath wall thickness. Refer table below:

**Screw pack available for baths thicker than 12mm - Product code: 29391 to suit 21831**

BATH WALL THICKNESS	S/S SCREW C/SUNK HD
12 ~ 22 mm	M5 x 3 0
22 ~ 32 mm	M5 x 4 0
32 ~ 42 mm	M5 x 5 0
42 ~ 52 mm	M5 x 6 0
52 ~ 62 mm	M5 x 7 0



**Available Finishes**



**Note:** .04 Polished Brass (Raw/Living Finish)