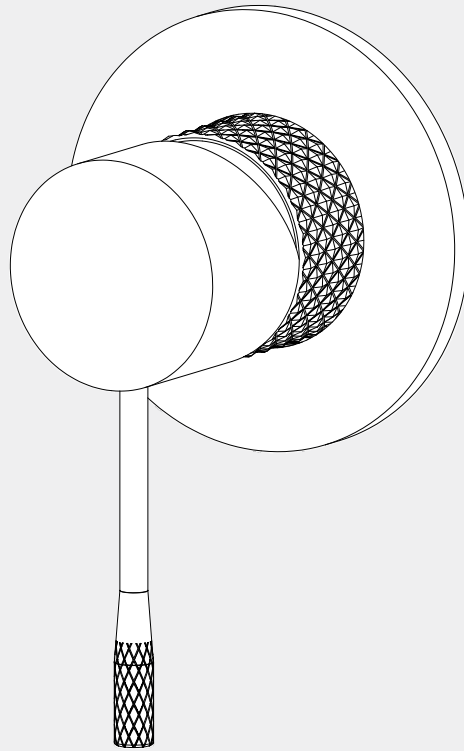


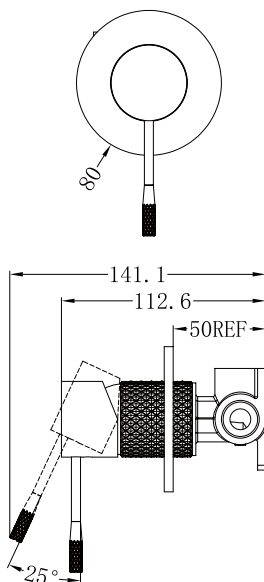
# Opal Shower Mixer 80mm Plate

# Nero



Versions:202401

## Drawing



## Specifications

### Watermark License

WM-060073

### Temperature Rating

Min 1°C - Max 75°C

### Pressure Rating

Min 150kpa - Max 500kpa

## Packaging Includes

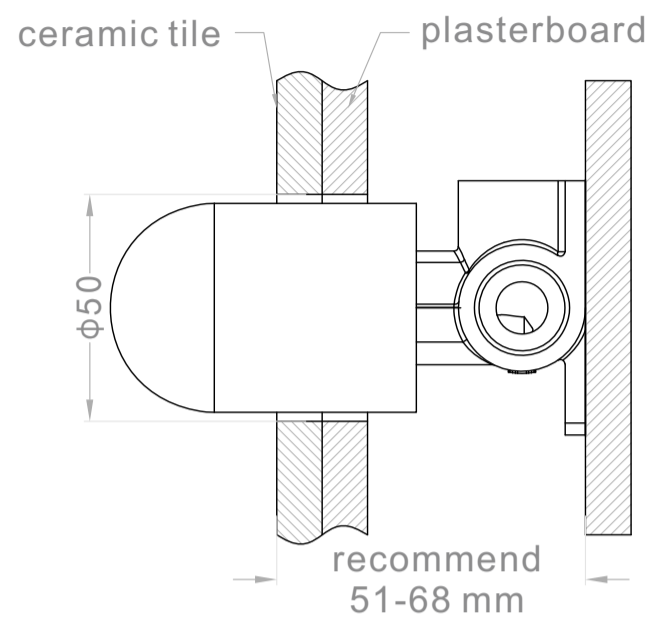
1x Mixer Body  
1x Handle  
1x Plate  
1x Accessories Pouch

## Finish & SKU

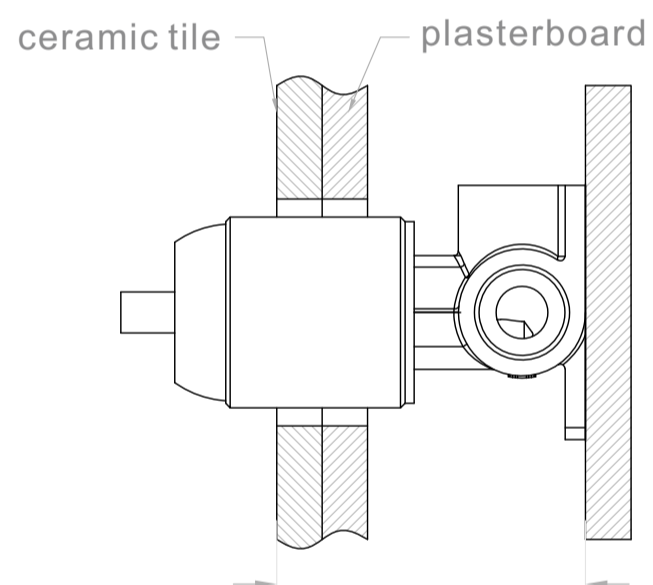
 <b>Brushed Bronze</b> NR251909BZ	 <b>Graphite</b> NR251909GR
 <b>Brushed Gold</b> NR251909BG	 <b>Brushed Nickel</b> NR251909BN

\*Dimensions are nominal measurements only.

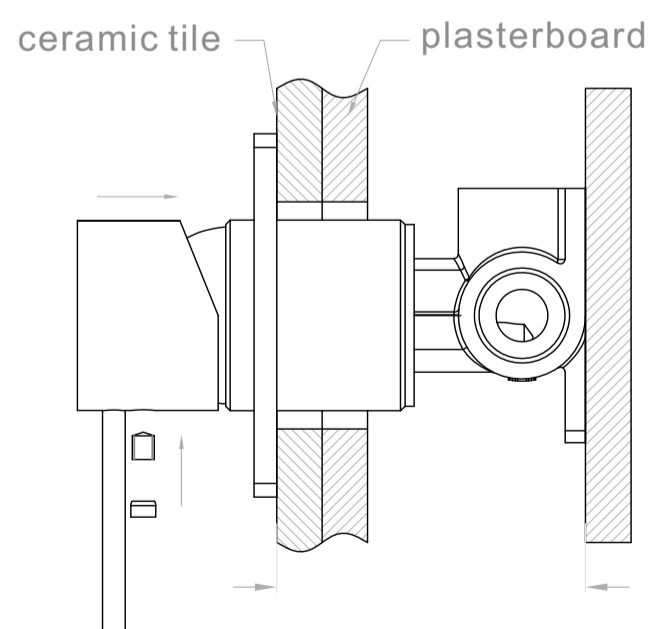
# Installation Instruction



1. Fix body on noggin and ensure installation depth is 51-68mm from noggin to ceramic tile.
2. Connect cold water hose and hot water hose and test for leakage.
3. Install plasterboard and ceramic tile after drilling a  $\phi 50$  hole according to above picture.



4. Remove the plastic sleeve of body.



5. Install plate and handle.

# Nero

