

HS05 HARRINGTON WALL SPOUT

meir®



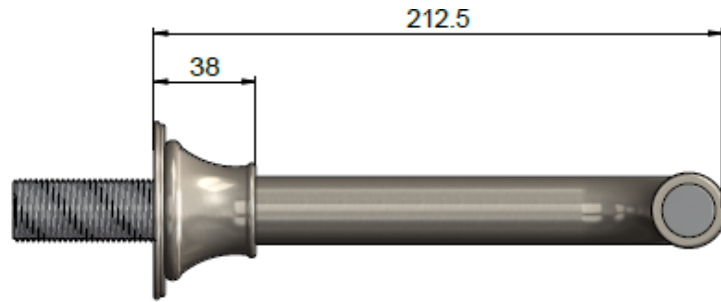
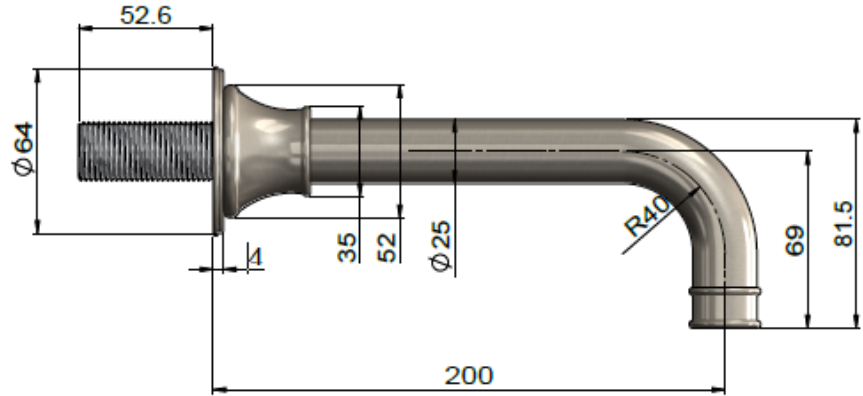
FEATURES

- Refer to the Meir website for warranty terms & conditions, and available finishes.
- Flow rate 5 L/m & 25 L/m at 3 bar pressure.
- European aerators, basin and bath
- Solid brass construction
- 68mm long 1/2" threaded adapter included **international only**

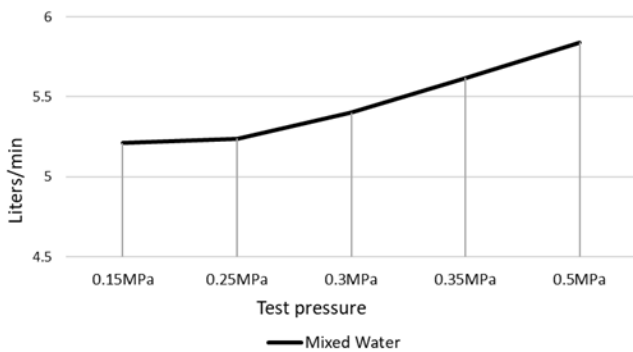
CARE

- Do not install tapware using any form of acetone silicones.
- Do not apply physical items (such as tools) directly to product.
- Never use house-hold or commercial detergents, citrus based cleaners, or abrasive cleaners.
- Clean using a mild washing soap solution rinsed, and dry with a soft cloth.
- Check for any product defects before installation.
- Refer to the installation manual for correct installation.

SPECIFICATIONS



FLOW RATE GRAPH



CREDENTIALS

- Watermark AS/NZS3718WMKA25013
- 5-star WELS rated
- 5.5 litres p/minute
- WELS registration No. **new registration**

EXPLODED VIEW

